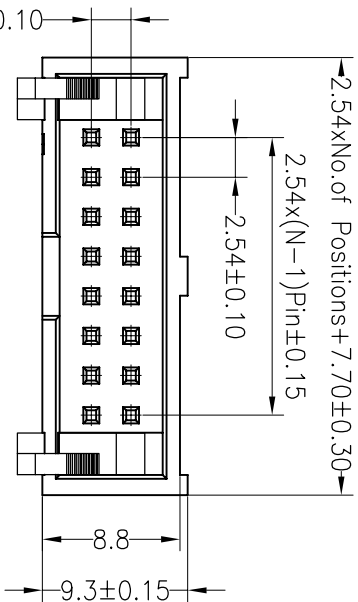




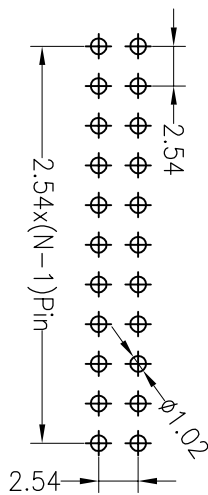
SPECIFICATIONS

Rated Current: 3.0AMP
 Contact Resistance: 20mΩ Max
 Withstand Voltage: 1000V AC/DC
 Insulation Resistance: 1000MΩ Min
 Operation Temperature: -40°C to +105°C

Contact Material: Brass
 Contact Plating: Au or Sn Over Ni
 Insulator Material: Polyester (UL94V-0)
 Standard: PBT
 Max. Processing Temp: 180°C for 30-60 seconds
 (200°C for 10 seconds)



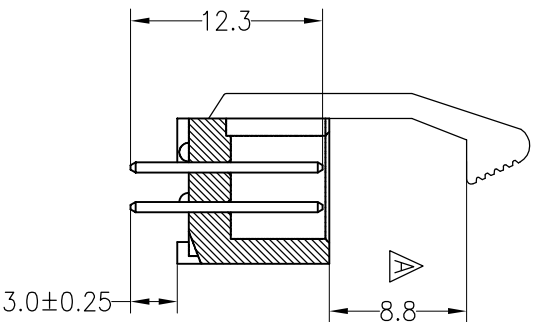
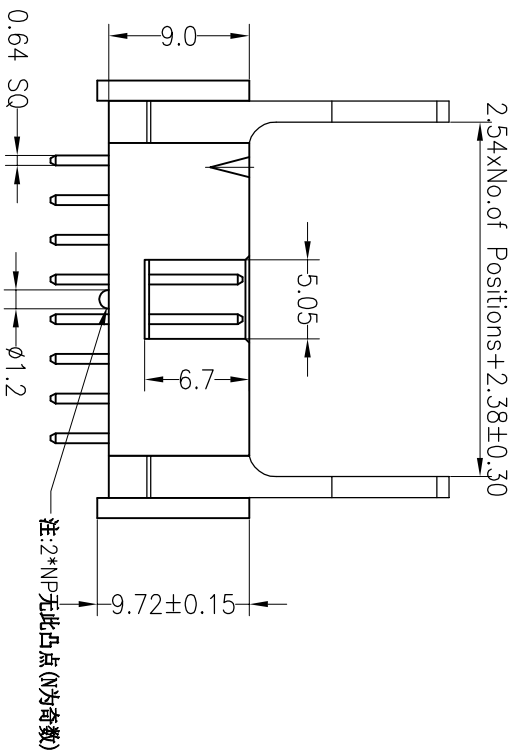
Recommended P.C.B Layout (Top Side)
 (PCB BOARD TOLERANCE ±0.05)



Ordering Information

3214-XX S XX X B K0 L X 01

- No. of Pins: 8--64
- Contact Plating Option: G0:Gold Flash, G1:1U" Gold, G2:1.5U" Gold, G3:2U" Gold, G4:3U" Gold, G5:5U" Gold, S0:Gold Flash/Tin
- Insulator Material Option: A=BK-PBT, B=BK-PA66, C=BK-PA6T, D=BK-PA46, E=BK-PA9T, F=BK-LCP
- Packing: 0=PE Bag, A=Troy, T=Tube, P=Tube+Cap



OPERATION		DRAW		SCALE		FIT		TITLE:	
X.X		Y.YuSheng		UNIT		mm		PART NO.:	
±0.30		14.05.26		SIZE		A4		3214-XXSXXXBK0LX01	
X.XX		CHECK		SHEET		1/1		2.54mm 带金属钩筒牛 180°	
±0.20		APPROVE		PROJ.					
X.XXX									
±0.10									
Angle									
±3°									
TOL									
CHANGE									
DIM									
TOL									
APPROVE									
DATE		MODIFICATION DESCRIPTION		CHANGE		DATE		REV	
2018.10.12		"A" 尺寸原8.18变更为8.8		1		2018.10.12		A1	
2014.05.26		NEW DRAWING		2		2014.05.26		A0	
1		3		4		5		6	
1		3		4		5		6	

JILIN 深圳市锦凌电子有限公司
 SHENZHEN JINLING ELECTRONIC CO.,LTD
 Tel: 86-755-2997-5806/5802 Fax: 86-755-2997-5892