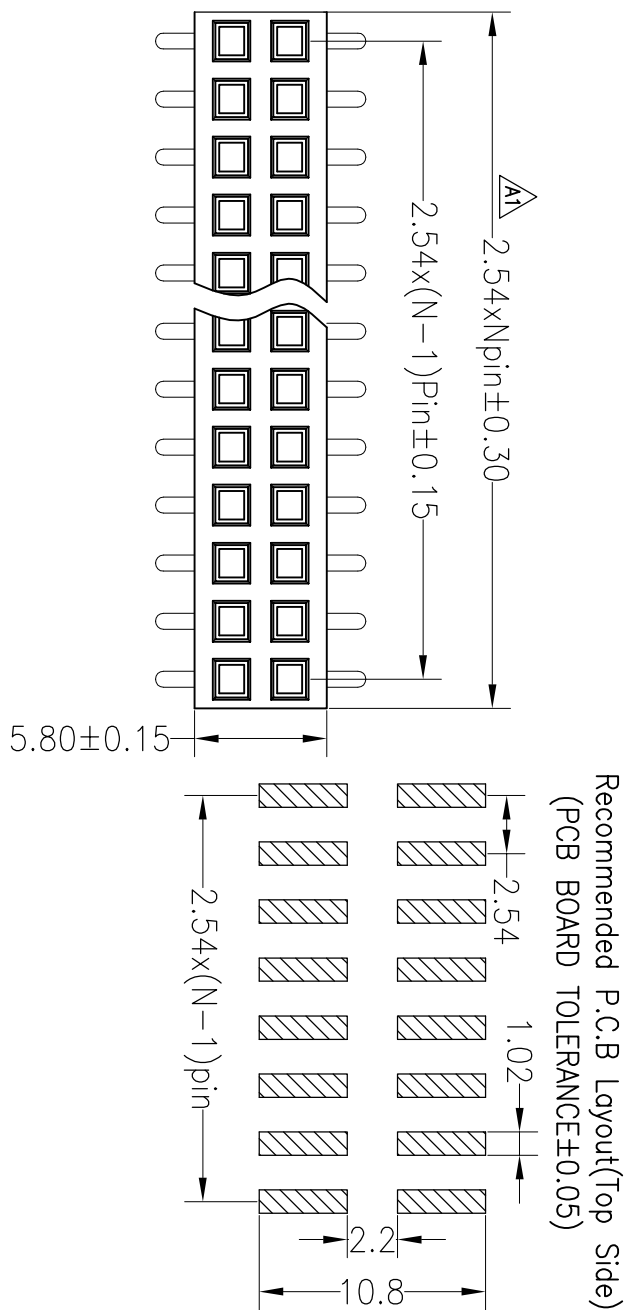




**SPECIFICATIONS**

Rated Current: 3.0AMP  
 Contact Resistance: 20mΩ Max  
 Withstand Voltage: 1000V AC/DC  
 Insulation Resistance: 1000MΩ Min  
 Operation Temperature: -40°C to +105°C

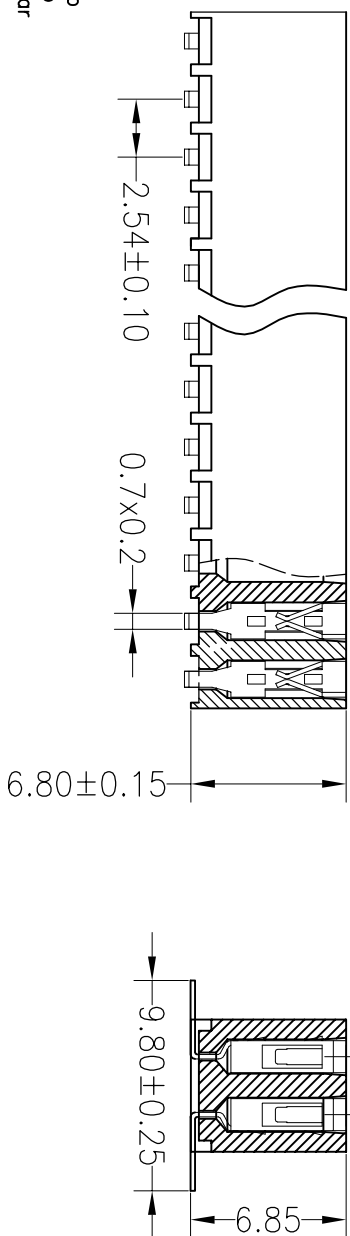
Contact Material: Brass  
 Contact Plating: Au or Sn Over Ni  
 Insulator Material: Polyester (UL94V-0)  
 Standard: PA6T  
 Max. Processing Temp: 230°C for 30-60 seconds  
 (260°C for 5 seconds)



**Ordering Information**

2268 02 XX X N XX M O X 01

- No. of Pins Per Row: 2\*40
- Insulator Material Option:
  - A=BK-PBT
  - B=BK-PA66
  - C=BK-PA6T
  - D=BK-PA46
  - F=BK-LCP
- Contact Plating:
  - G1: Gold Flash
  - G2: 1.5U" Gold
  - G3: 2U" Gold
  - G4: 3U" Gold
  - G5: 5U" Gold
  - S0: Gold Flash/Tin
  - SN: Tin
- Packing:
  - O=PE Bag
  - A=Troy
  - T=Tube
  - P=Tube+Cap
  - R=Reel+Cap
  - M=Reel+Mylar
  - SN: Tin



OPERATION		DRAW		SCALE		FIT		TITLE:	
DIM	TOL	APPROVE	YUSheng	19.06.15	UNIT	mm	A4	PART NO.	2.54PF 2xNPin H6.8 W5.8 SMT
X.X	±0.30	CHECK						226802XXXXXXMOX01	
X.XX	±0.20								
X.XXX	±0.10								
Angle	±3°				SHEET	1/1			
REV	DATE	MODIFICATION DESCRIPTION	CHANGE		PROJ.				
A1	2019.06.15	取消总长+0.5							
A0	2012.03.28	NEW DRAWING							
1									

**JIN** 深圳市锦凌电子有限公司  
 SHENZHEN JINLING ELECTRONIC CO.,LTD  
 Tel: 86-755-2997-5806/5802 Fax: 86-755-2997-5892